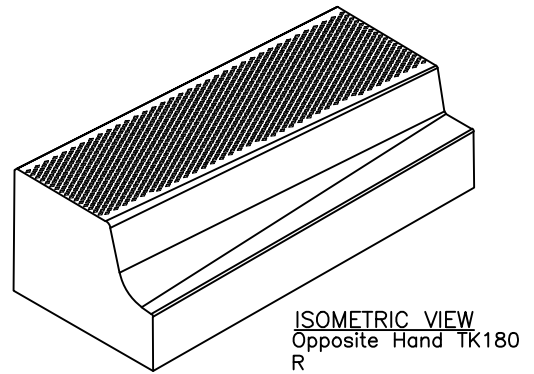
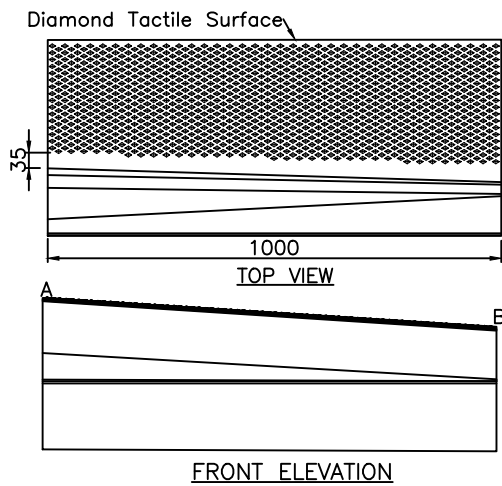
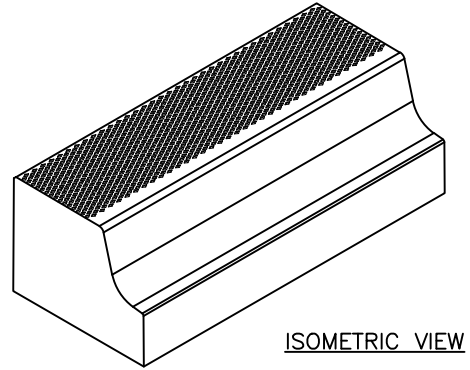
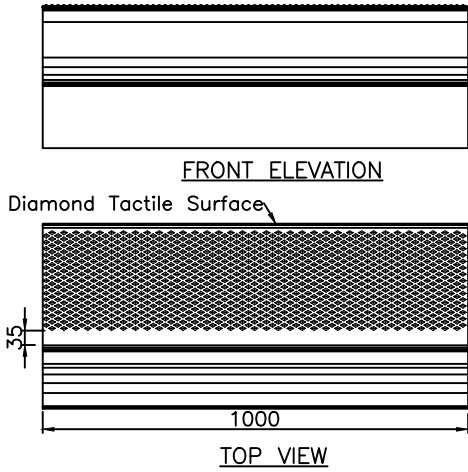
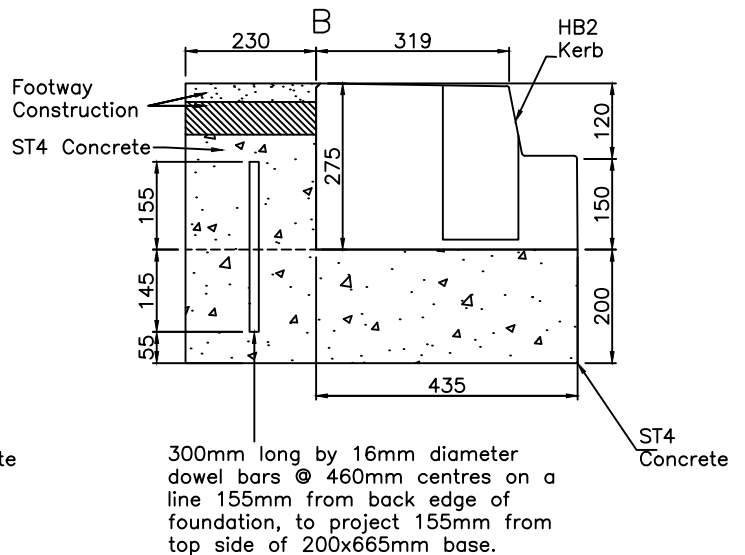
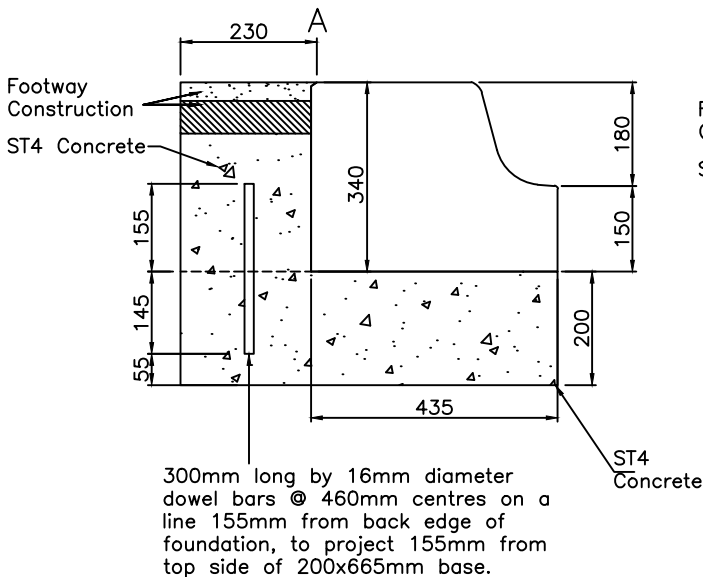


Rev.	Amendments	Date	Made By	Chk'd By



END VIEWS



NOTES

1. All dimensions are in millimetres unless otherwise stated.

KASSEL KERBING

HIGHWAY DESIGN GUIDE STANDARD DETAILS

RHONDDA CYNON TAF  
COUNTY BOROUGH COUNCIL



Drawn	AR
Checked	SZ
Date	Dec '13
Scale	NTS
Drg. No.	172
Rev.	