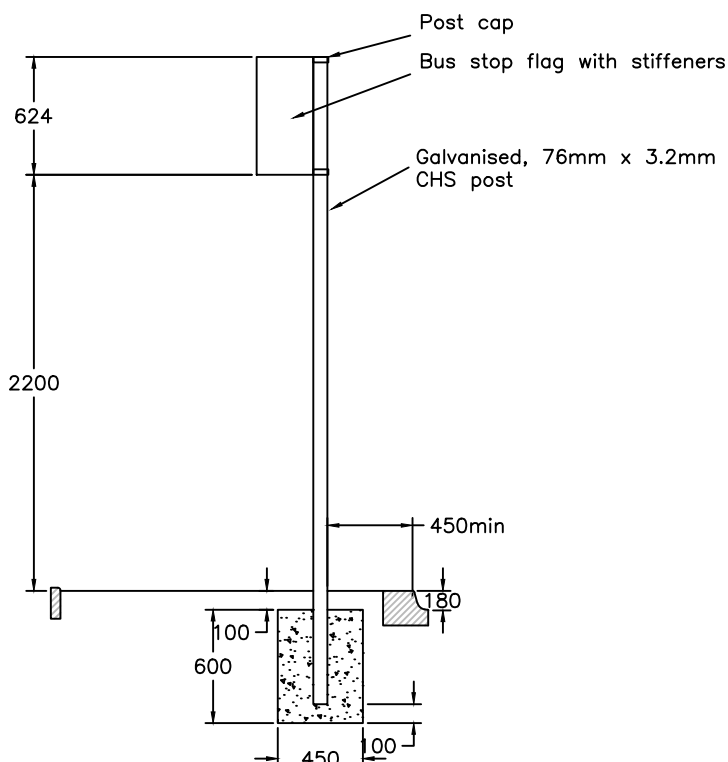
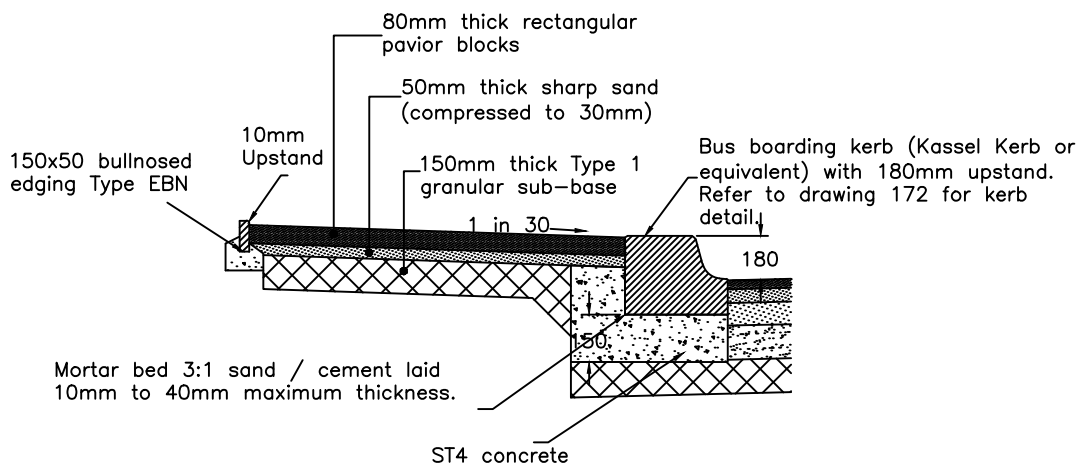


Rev.	Amendments	Date	Made By	Chk'd By



NOTES

1. The pattern of the red block shall be 90 degree herringbone 2.0m in length and 2.0m minimum in width and to be separated by from the flexible construction by 150x50 flat top edging Type EF
2. The cross fall shall be 1 in 30.
3. All blocks to be laid in accordance with B.S. 7533: Part 3:2005.
4. Minimum cut size of a block to be used must not be less than 1/3 of the blocks length.
5. Weed killer to be applied at formation level to the approval of the highway engineer.
6. Flag sign detail to be provided by RCT public transportation section.
7. All dimensions are in mm unless otherwise stated.

BUS STOP CONSTRUCTION

HIGHWAY DESIGN GUIDE STANDARD DETAILS

**RHONDDA CYNON TAF
COUNTY BOROUGH COUNCIL**



Drawn	DA
Checked	SZ
Date	Apr '11
Scale	NTS
Drg. No.	133
Rev.	